

feather&black

Perfect Bedtimes

Noah Desk Chair

IMPORTANT READ CAREFULLY RETAIN FOR FUTURE REFERENCE

Thank you for buying the Noah Desk Chair

- Please take a few quiet minutes to read these instructions
- This product contains small parts, keep small children clear of the assembly area

PRODUCT SAFETY

- All assembly fastenings should always be tightened properly and care should be taken that no fittings are loose
- Periodically check and ensure that all components are in their proper position, free from damage, and that all connectors are tight

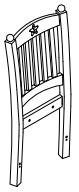
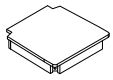
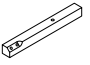
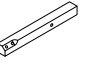
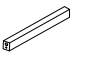
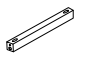







PRODUCT CARE

- Wipe clean using a soft damp cloth followed by dry cloth
- Do not use abrasives or cleaning products which may contain ammonia or solvents
- Take care when handling or moving the furniture. Careless handling can damage wooden furniture, try to lift rather than drag

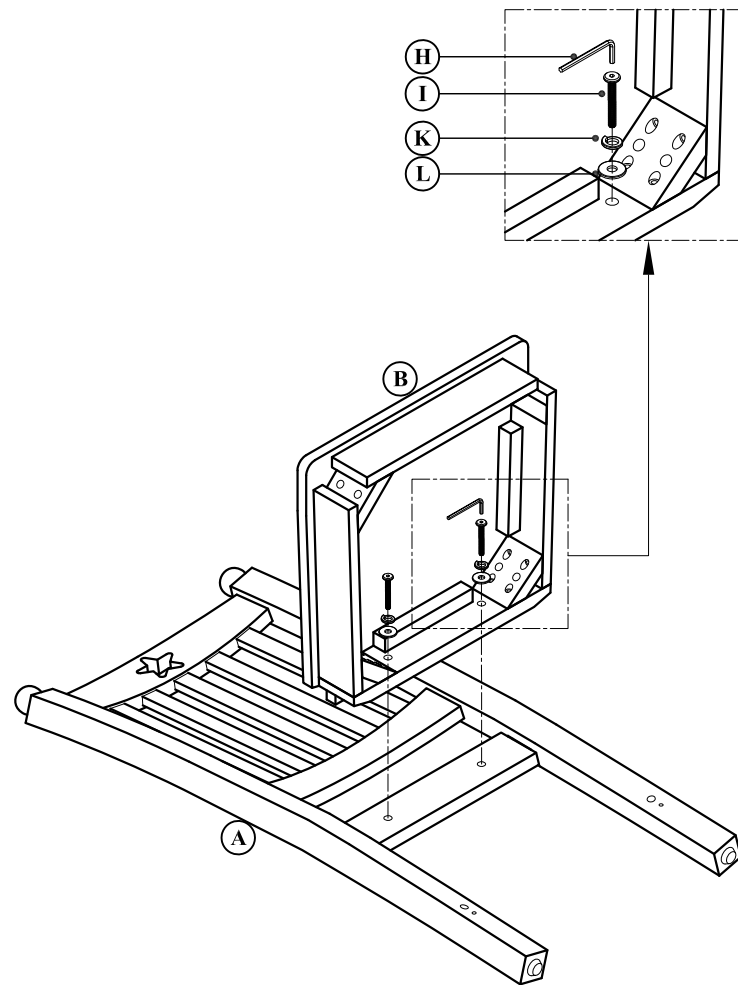
TOOLS REQUIRED

- Please use Philips Head Screwdriver (not included) and Allen key part I (included) to assemble the Noah Desk Chair

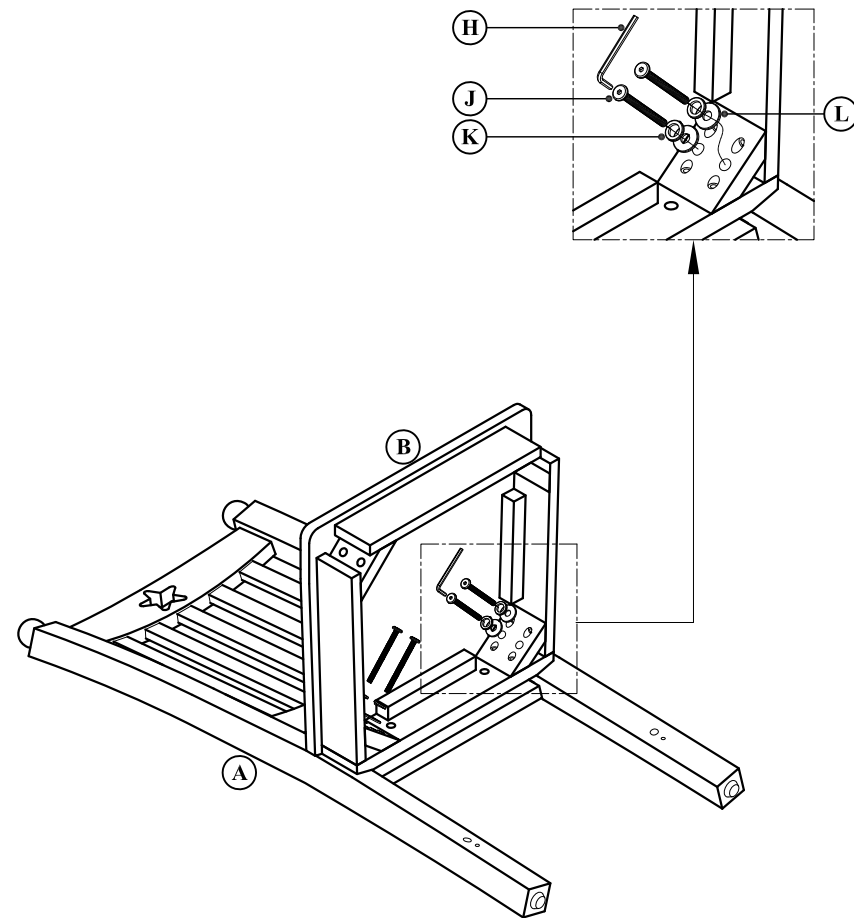


	PARTS	QTY
A		1PC
B		1PC
C		1PC
D		1PC
E		1PC
F		1PC
G		4PCS
H		1PC
I	 Ø6 x 45(mm)	6PCS
J	 Ø6 x 70(mm)	4PCS
K	 Ø6	10PCS
L	 Ø6/ Ø16	10PCS
M	 Ø4x30	4PCS

①

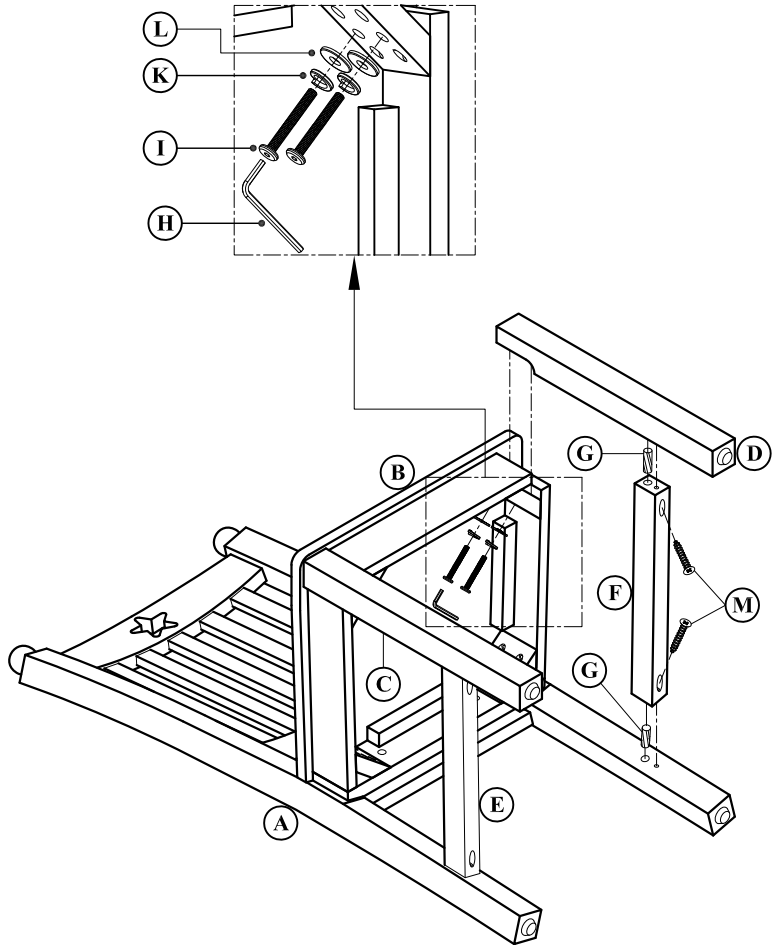


②



Please do not tighten until both sets of bolts are in place in step 2.

3



4

